

*Frontier Adventure 2000
Fall Camporee*

October 13th, 14th, and 15th

Brecksville Meadow Metroparks

2000 Boy Scout Fall Camporee Frontier Adventure 2000

Date: October 13, 14, 15

Arrive Friday at 7:00 p.m.

Depart Sunday at 10:00 a.m.

Place: Metroparks Brecksville Reservation
Meadows Rear Field Area

Camporee Fee: \$5.00 per person - all participants will receive a patch.

Registration and Money Due: All troops should register Friday night at the Camporee

Questions and Concerns should be addressed to Thomas Sutyak 440-845-8907

Friday: Check in at 7:00 p.m.
SPL and adult leader Cracker Barrel at 10:00 p.m.

Saturday:	Reveille	6:45 a.m.
	Breakfast	7:00 - 8:30 a.m.
	Flag Raising	8:30 a.m.
	Patrol Competition	9:00 a.m. - 12:00 noon
	Lunch	12:00 - 1:00 p.m.
	Camp Inspection by Commissioners:	1:00 - -
	Patrol Competition	1:00 - 1:50 p.m.
	Fun Games	2:00 - 4:30 p.m.
	Dinner	4:30 - 6:30 p.m.
	Evening Program	
	Retreat	6:45 p.m.
	Scout Vespers	7:00 p.m.
	Camp Fire	7:45 p.m.

2000 Boy Scout Fall Camporee

Frontier Adventure 2000

Sunday- Breakfast; Clean up camp sites; Check out by 10:00 a.m.
Before leaving the area, send the SPL to Headquarters for a Commissioner to have him check out the area before the troop is released.

METROPARK RULES & CAMPOREE RULES

GROUND FIRES

The Metroparks' rules clearly state there will be NO GROUND FIRES -PERIOD. This means NO FIRES on the ground nor fires placed in any container can be placed on the ground. THE ONLY PERMITTED OPEN FIRES ARE TO BE KEPT IN THE GRILL STANDS PROVIDED BY THE METROPARKS. However - You should plan to use your Troop stoves for your cooking needs.

ENTER/EXIT AFTER DARK

No vehicles are to enter or exit the area during the park's closed hours (11:00 p.m. - 6:00 a.m.) except in the event of an emergency. Campers are to remain in the camp site area after 11:00 p.m.

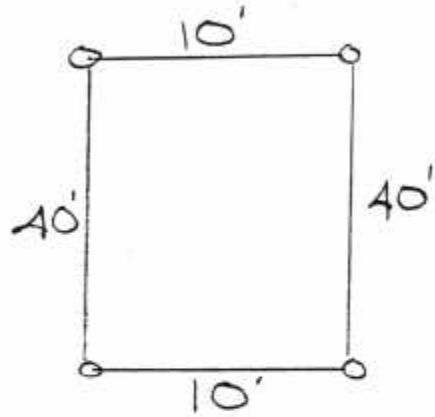
VEHICLES AND TROOP TRAILERS

All vehicles including Troop trailers must remain in the parking lots at all times. Trailers and vehicles will not be permitted to remain in the tent camping area after unloading.

PATROL DEFINITION

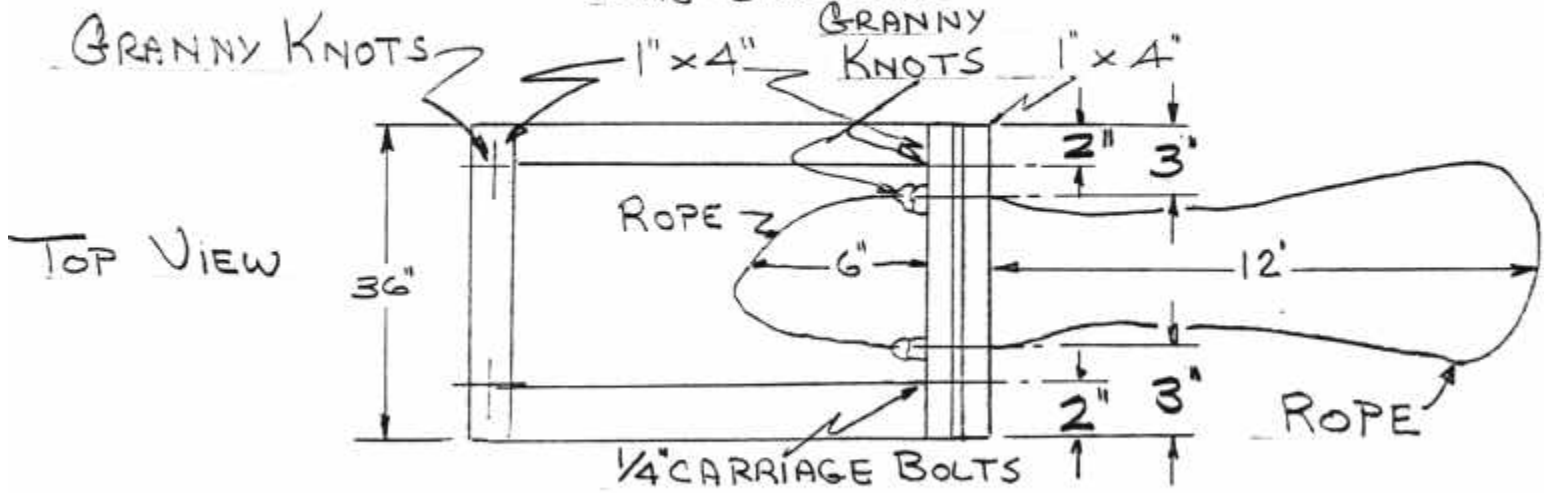
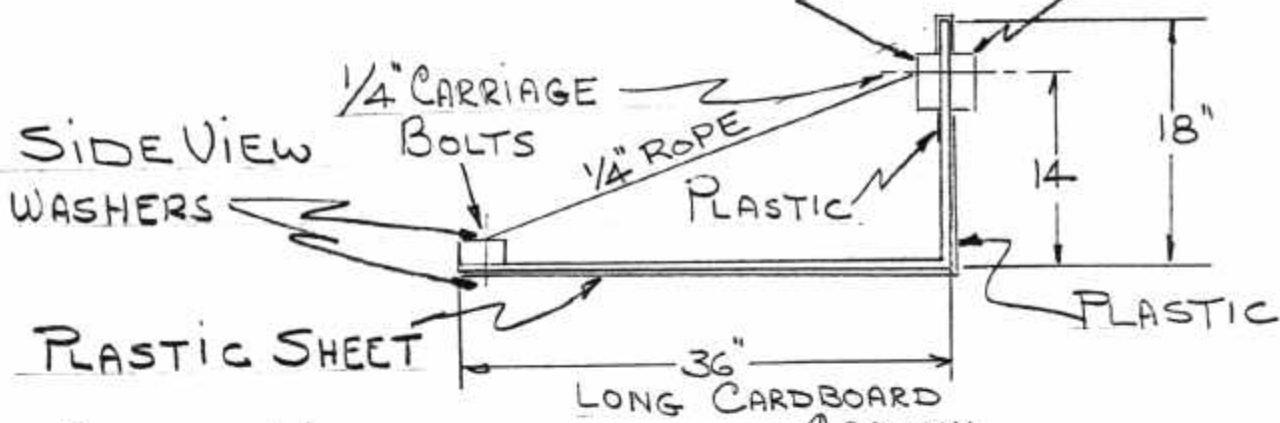
A Patrol will consist of at least five (5) Scouts and no more than eight (8) scouts (with the exception of Webelos joining the Patrol.) If a unit has a patrol with only one or two Scouts, the Camporee Chairman should be contacted so that other arrangements can be made. We will try to find a patrol to accommodate these Scouts so they can compete in the Camporee. Webelos may participate with the Troop at the invitation of the Troop's Scoutmaster. We encourage the scoutmasters to contact the packs they are affiliated with to have the second year Webelos come out join their unit to participate in the Camporee. This is an excellent opportunity to promote a good working relationship with the cubs.

RACE COURSE LAYOUT



INSTRUCTIONS FOR MAKING THE CHARIOT

1'x4"x36"



2000 Boy Scout Fall Camporee
Frontier Adventure 2000

REGISTRATION FORM

Troop No. _____

Adult Leader in Charge: _____

Other Leaders _____

Total Number of Patrols _____ (minimum 5 scouts each)

Patrol:	Patrol:
1) PL:	1) PL:
2)	2)
3)	3)
4)	4)
5)	5)
6)	6)
7)	7)
8)	8)

Patrol:	Patrol:
1) PL:	1) PL:
2)	2)
3)	3)
4)	4)
5)	5)
6)	6)
7)	7)
8)	8)

Total Scouts and Adults _____ x \$5.00 = _____